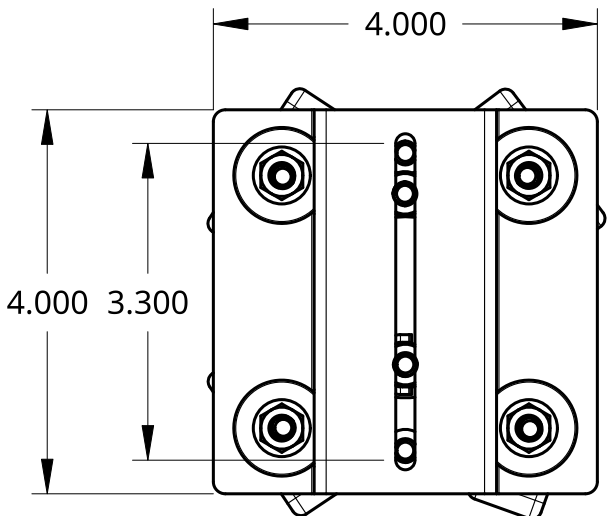
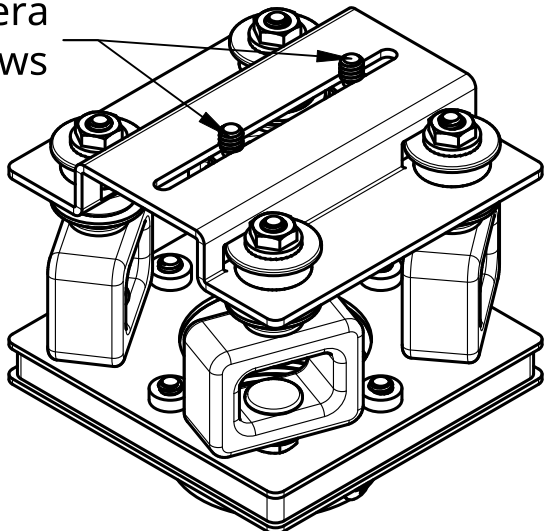


2

1

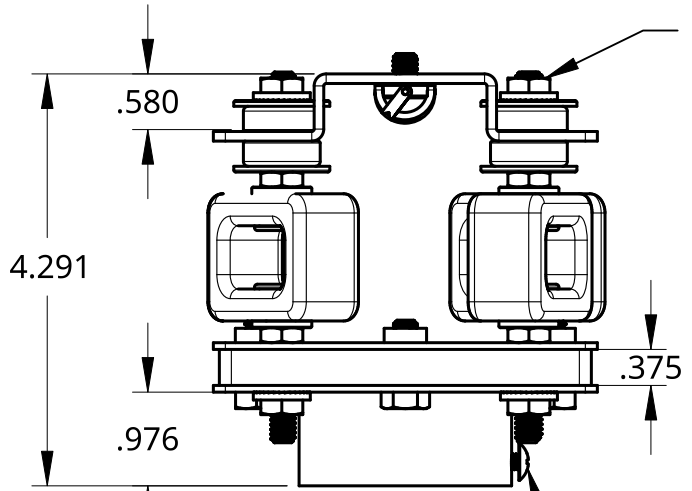


2x 1/4-20 Camera Tripod Mount Screws

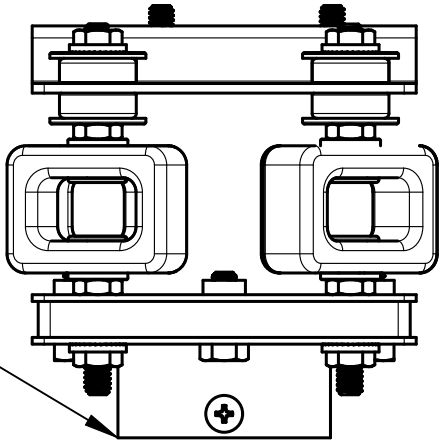


SCALE 1:2

SCALE 1:2



7/16" Wrench Size



1 1/2" Pipe (1.5" NPT)

8-32 Truss Head Screw

UNLESS OTHERWISE SPECIFIED, DIMENSIONS ARE IN INCHES .XX = ±.0- .XXX = ±.00- .XXXX = ±.000- SURFACE FINISH		NAME	DATE	TITLE Anti-Vibration Multi-Camera Adaptor NB-UIM-MCA & NB-UIM-MCA-W	
DO NOT SCALE DRAWING	ANGULAR = ± ° FRACTIONAL = ±	DRAWN	Bryan Dierking		
BREAK ALL SHARP EDGES AND REMOVE BURRS		CHECKED	Hannah Brent		SIZE A
THIRD ANGLE PROJECTION		APPROVED	Nigel Brent		DWG NO.
		MATERIAL		FINISH	REV 3
				SCALE 1:2	WEIGHT
				SHEET	1 of 1

2

1

B

B

A

A