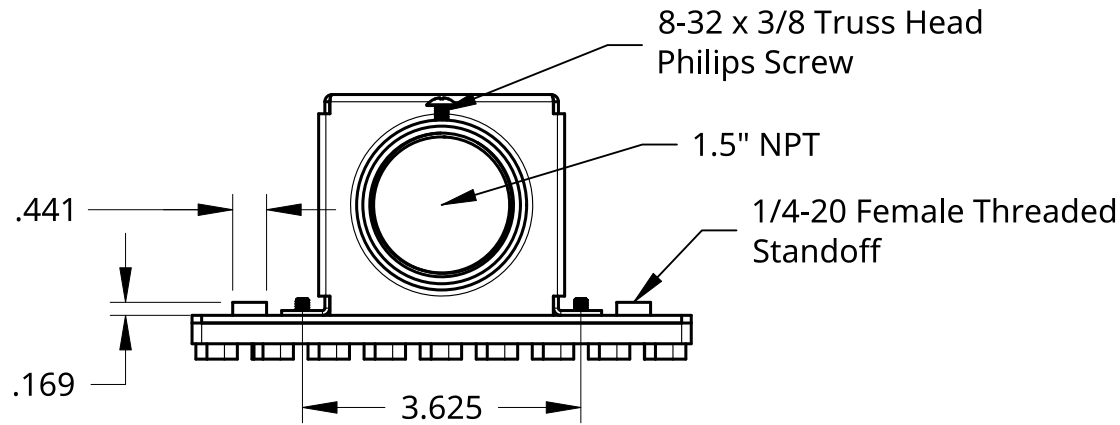


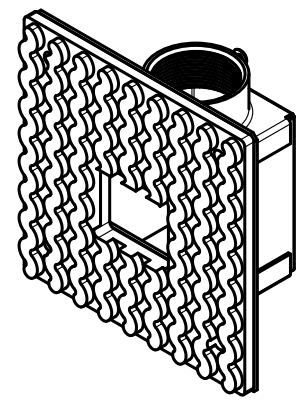
2

1



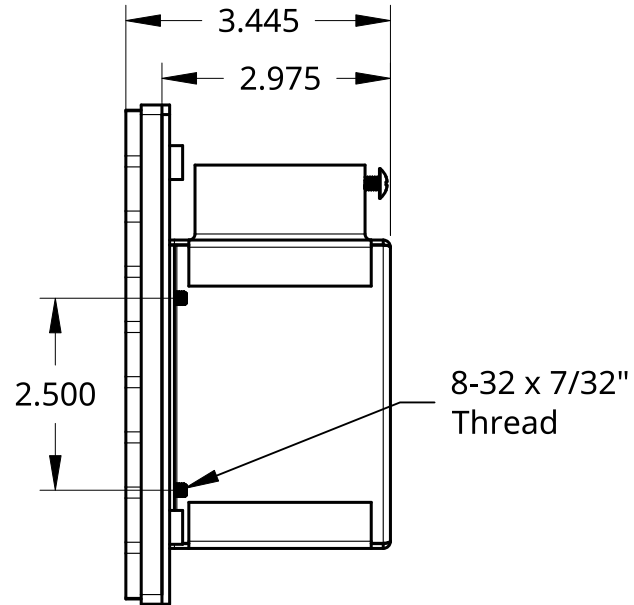
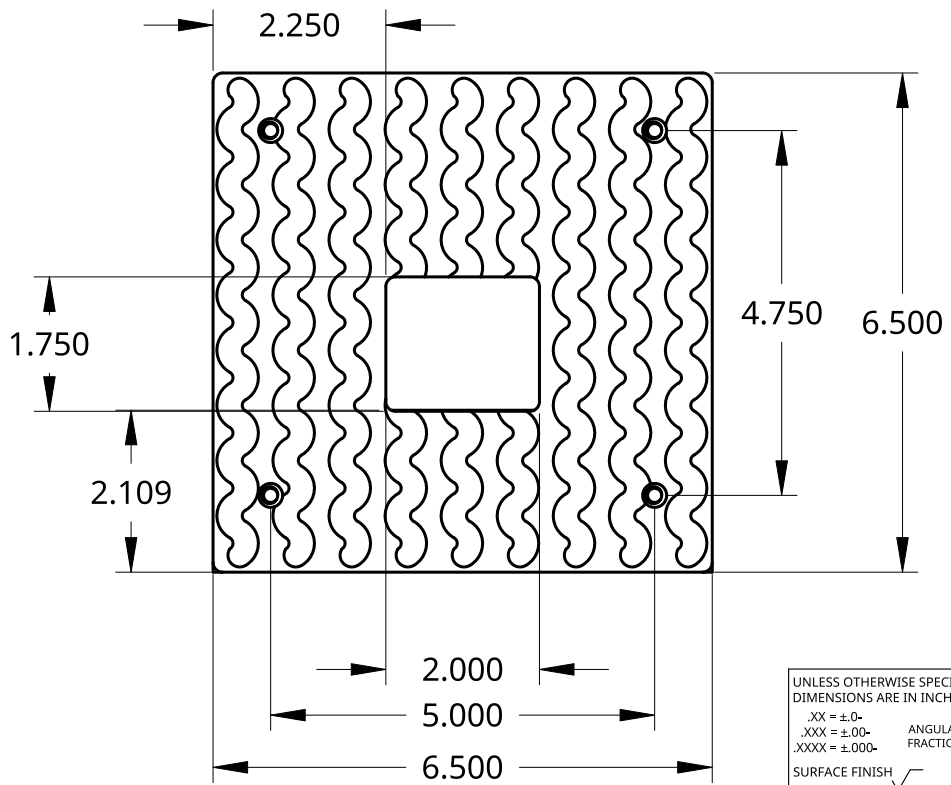
SCALE 1:2.5

SCALE 1:4



B

B



SCALE 1:2.5

A

A

UNLESS OTHERWISE SPECIFIED,
DIMENSIONS ARE IN INCHES
.XX = ±.0-
.XXX = ±.00-
.XXXX = ±.000-
SURFACE FINISH

DO NOT SCALE DRAWING
BREAK ALL SHARP EDGES AND
REMOVE BURRS
THIRD ANGLE PROJECTION

	NAME	DATE
DRAWN	Bryan Dierking	05/23/2021
CHECKED	Hannah Brent	
APPROVED	Nigel Brent	
MATERIAL	FINISH	

TITLE		
NB-PMA-W Pole Mount Adaptor Assembly		
SIZE	DWG NO.	REV.
A		
SCALE	WEIGHT	SHEET
1:2.5 & 1:4		1 of 1

2

1