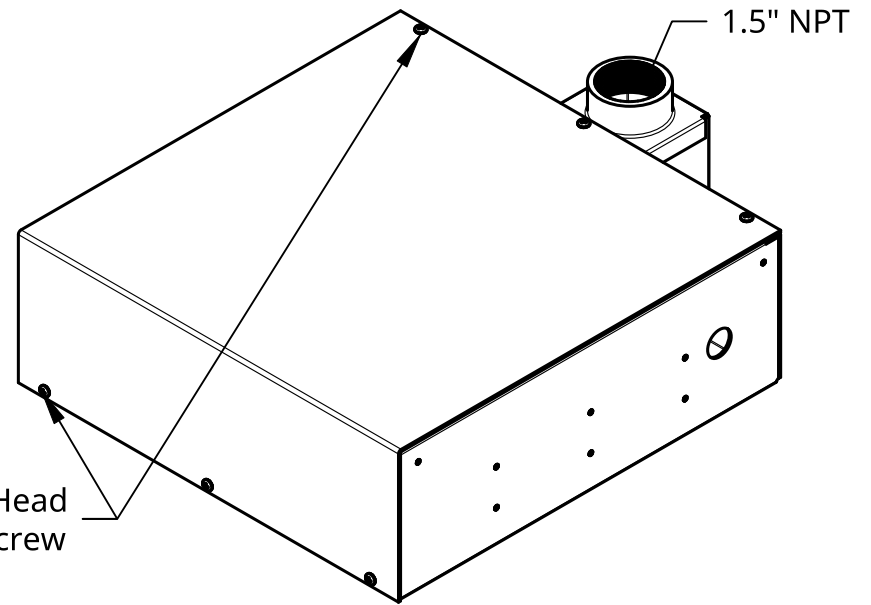
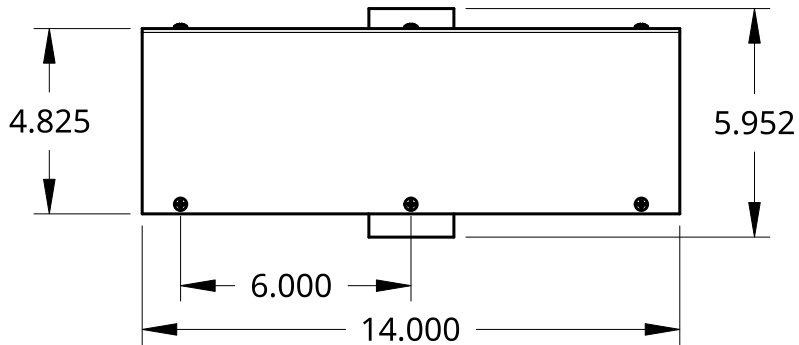
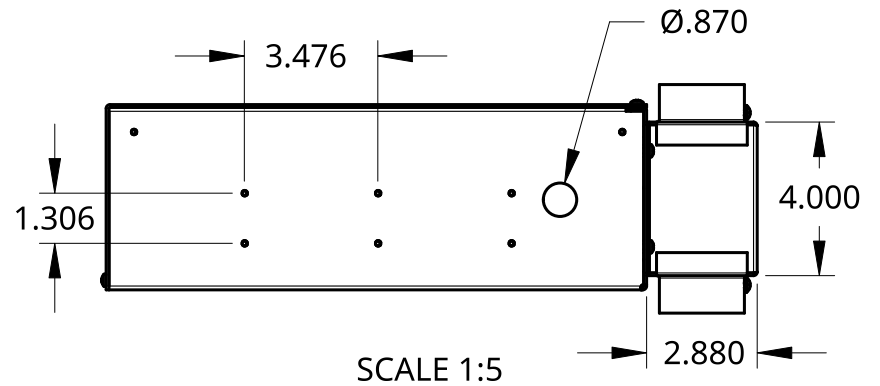


SCALE 1:5



SCALE 1:5



SCALE 1:5

UNLESS OTHERWISE SPECIFIED,
DIMENSIONS ARE IN INCHES

.XX = ±0-
.XXX = ±00-
.XXXX = ±000-

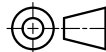
ANGULAR = ± °
FRACTIONAL = ±

SURFACE FINISH

DO NOT SCALE DRAWING

BREAK ALL SHARP EDGES AND
REMOVE BURRS

THIRD ANGLE PROJECTION



	NAME	DATE
DRAWN	Bryan Dierking	04/22/2021
CHECKED	Hannah Brent	
APPROVED		
MATERIAL	FINISH	

TITLE		
NB-PEBPM Pole Mount Equipment Box		
SIZE	DWG NO.	REV.
A		
SCALE	WEIGHT	SHEET
1:5		1 of 1