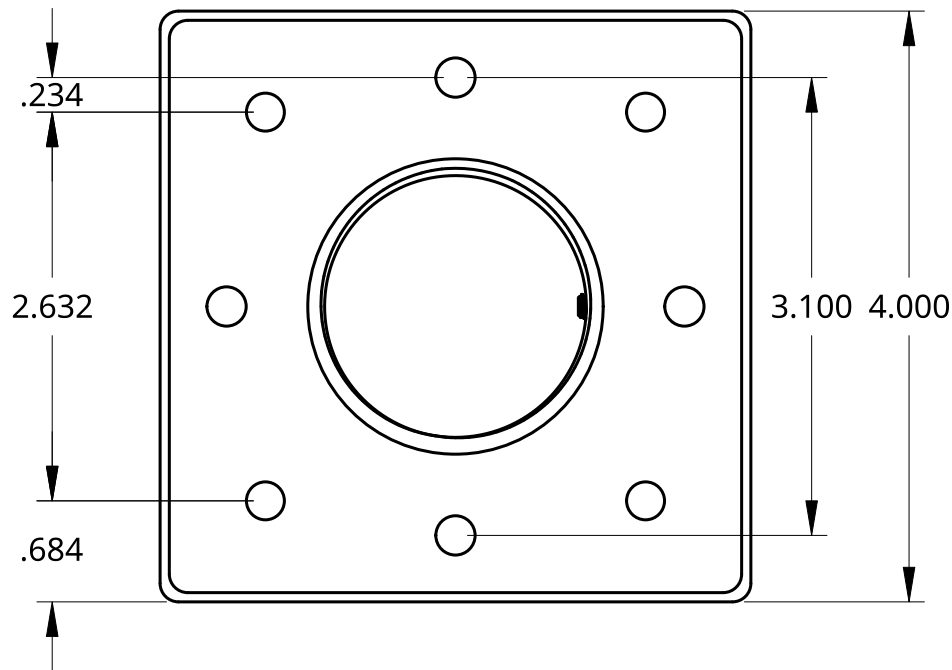
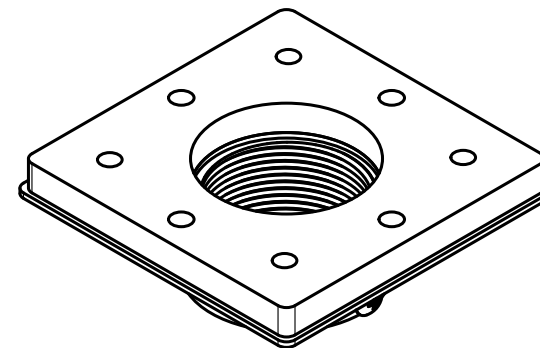


2

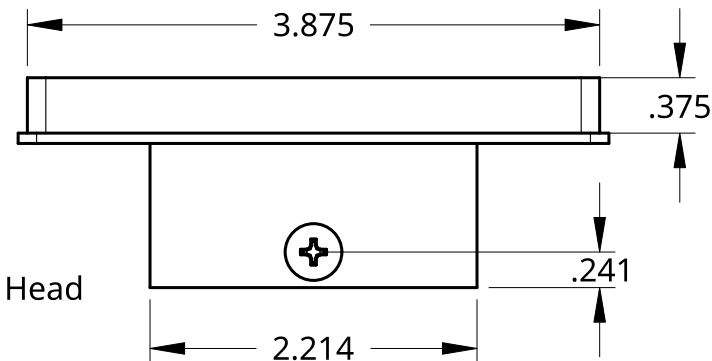
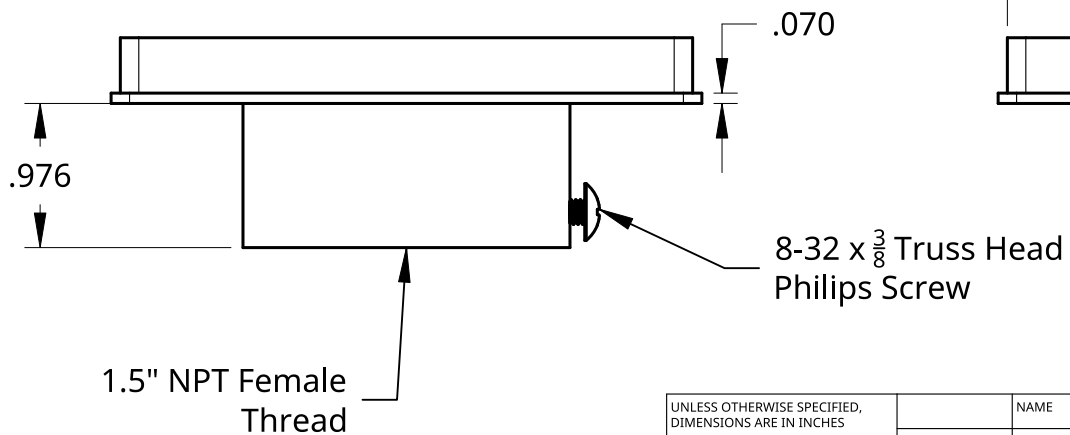
1



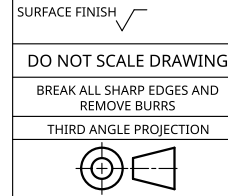
SCALE 1:1.3



SCALE 1:1.3



UNLESS OTHERWISE SPECIFIED,  
DIMENSIONS ARE IN INCHES  
.XX = ±.0-  
.XXX = ±.00-  
.XXXX = ±.000-  
SURFACE FINISH ✓  
DO NOT SCALE DRAWING  
BREAK ALL SHARP EDGES AND  
REMOVE BURRS  
THIRD ANGLE PROJECTION



	NAME	DATE
DRAWN	Bryan Dierking	05/01/2021
CHECKED	Hannah Brent	
APPROVED	Nigel Brent	
MATERIAL	FINISH	

TITLE		
Anti-Vibration Ceiling Plate NB-PCP		
SIZE <b>A</b>	DWG NO.	REV.
SCALE 1:1.3	WEIGHT	SHEET 1 of 1

2

1

B

B

A

A