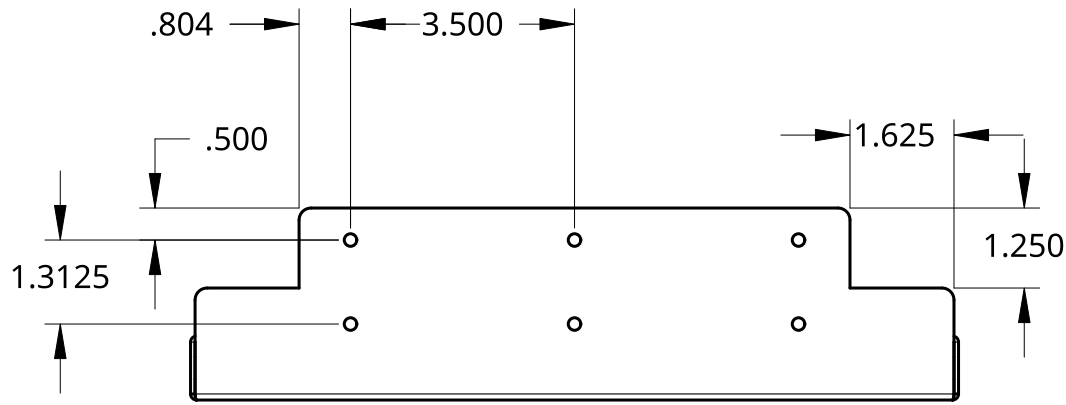
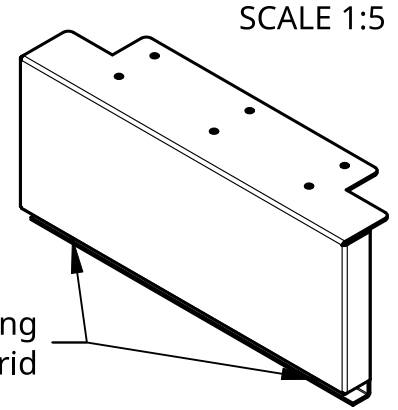


2

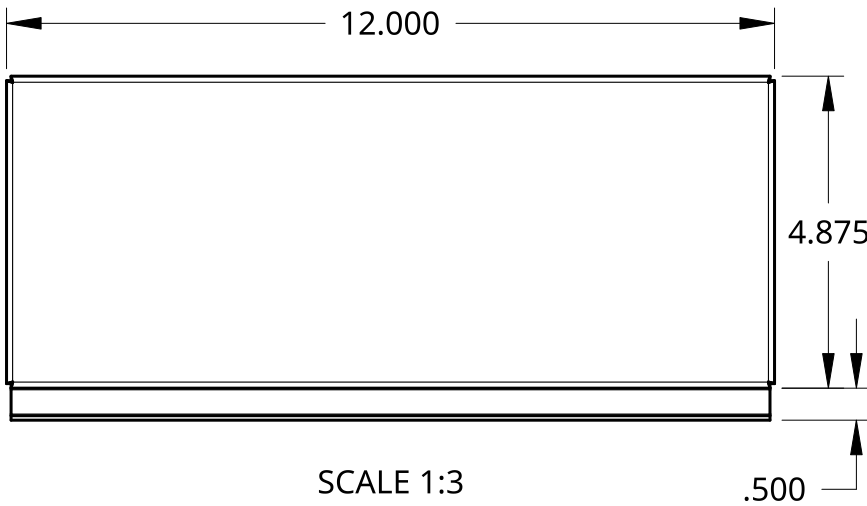
1



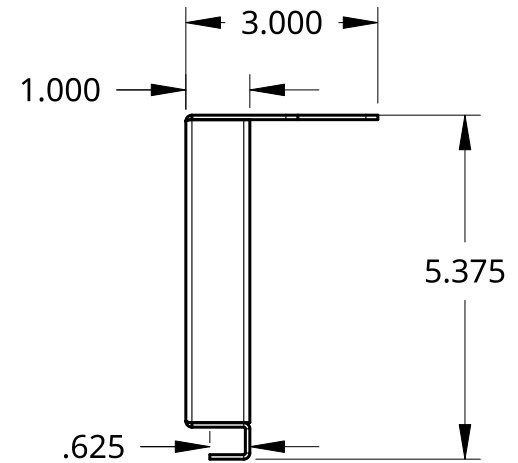
SCALE 1:3



#8 Holes for Ceiling Tile Beam Grid



SCALE 1:3



SCALE 1:3

UNLESS OTHERWISE SPECIFIED, DIMENSIONS ARE IN INCHES

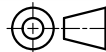
.XX = ±.0-
.XXX = ±.00-
.XXXX = ±.000-
ANGULAR = ± °
FRACTIONAL = ±

SURFACE FINISH ✓

DO NOT SCALE DRAWING

BREAK ALL SHARP EDGES AND REMOVE BURRS

THIRD ANGLE PROJECTION



	NAME	DATE
DRAWN	Bryan Dierking	05/23/2021
CHECKED	Hannah Brent	
APPROVED	Nigel Brent	
MATERIAL		FINISH

TITLE		
NB-CTSSPB Left Ceiling Tile Support		
SIZE	DWG NO.	REV.
A		
SCALE	WEIGHT	SHEET
1:5 & 1:3		1 of 1

2

1

B

B

A

A