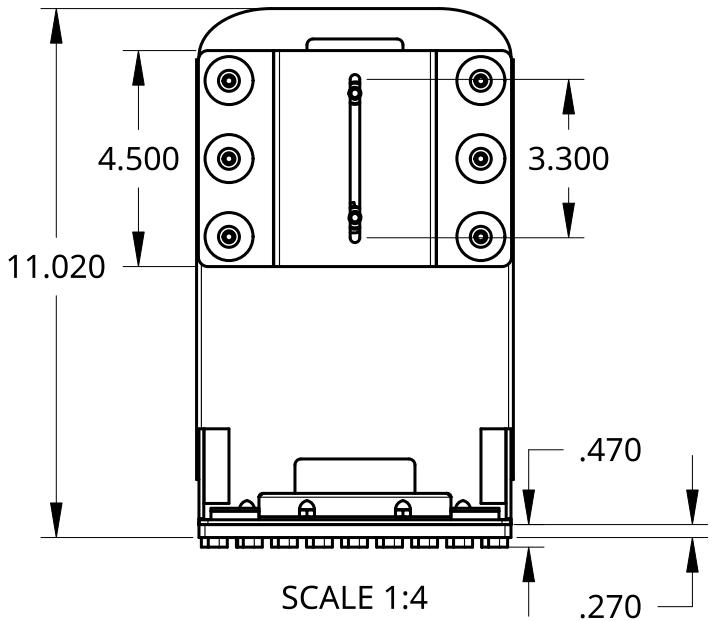
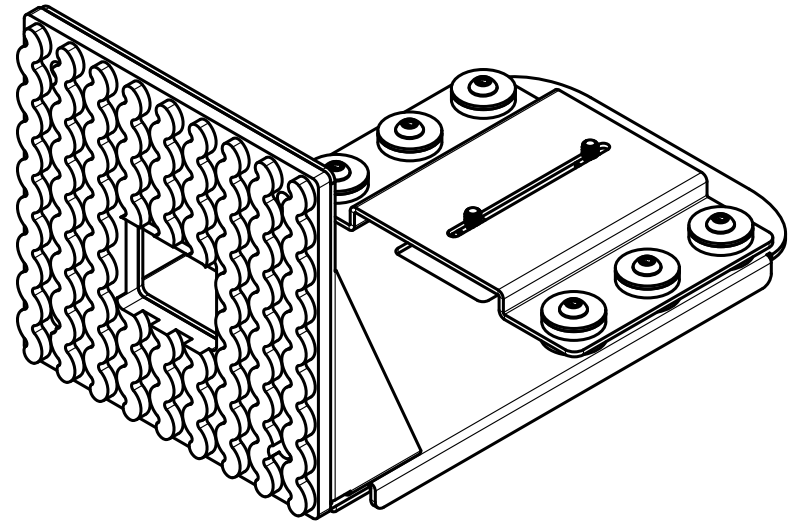


2

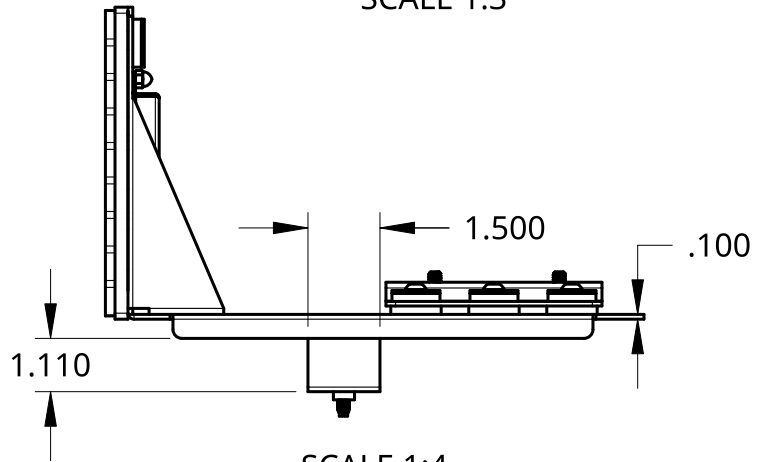
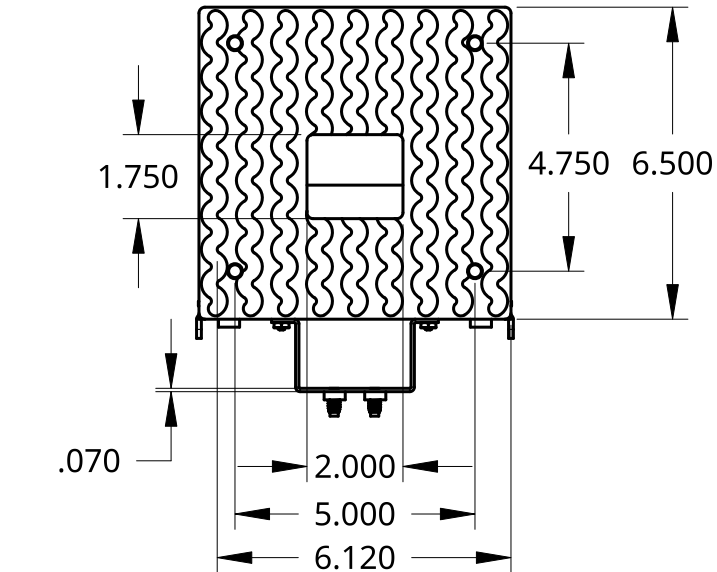
1



SCALE 1:4



SCALE 1:3



SCALE 1:4

B

B

A

A

2

1

UNLESS OTHERWISE SPECIFIED, DIMENSIONS ARE IN INCHES .XX = ±.0- .XXX = ±.00- .XXXX = ±.000- SURFACE FINISH		NAME	DATE	TITLE NB-AVCB-W Anti-Vibration Multi-Camera Mounting Bracket	
DO NOT SCALE DRAWING	DRAWN	Bryan Dierking	04/23/2021		
BREAK ALL SHARP EDGES AND REMOVE BURRS	CHECKED	Hannah Brent			
THIRD ANGLE PROJECTION	APPROVED				
	MATERIAL	FINISH	SIZE A	DWG NO.	REV.
			SCALE 1:4, 1:3	WEIGHT	SHEET 1 of 1