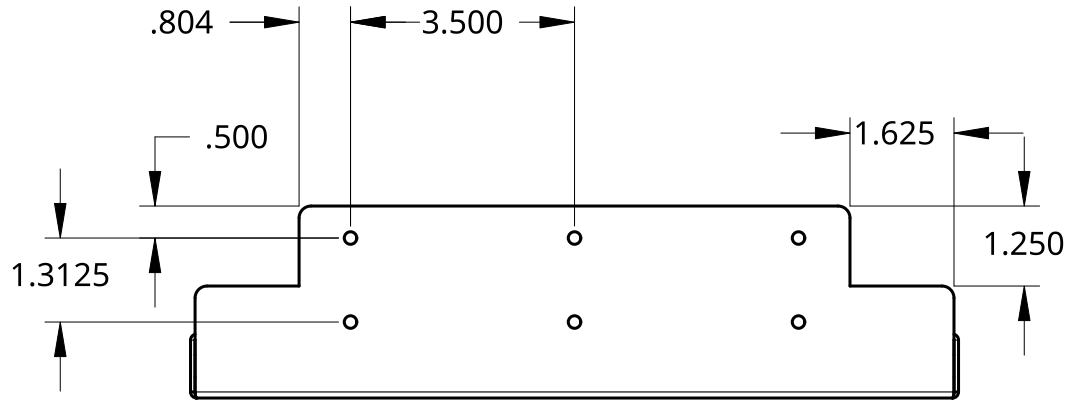
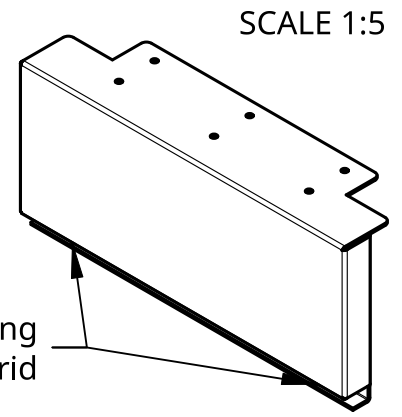


2

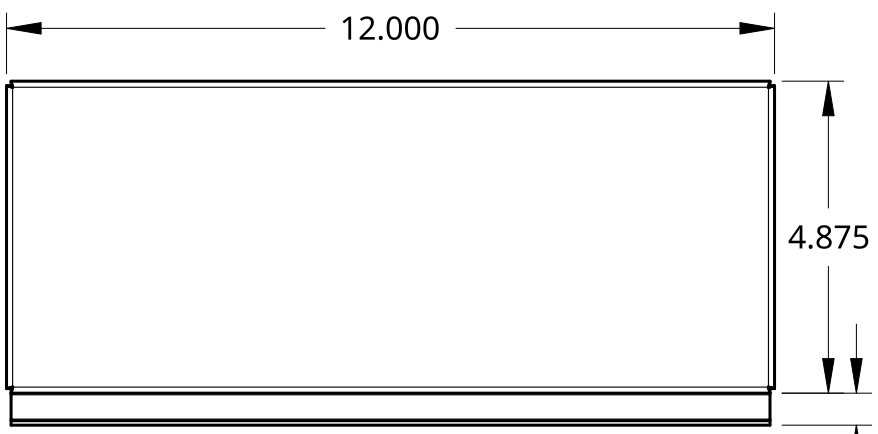
1



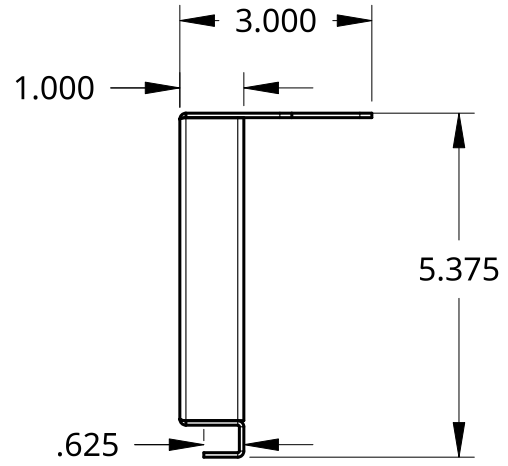
SCALE 1:3



#8 Holes for Ceiling Tile Beam Grid



SCALE 1:3



SCALE 1:3

B

B

A

A

UNLESS OTHERWISE SPECIFIED, DIMENSIONS ARE IN INCHES .XX = ±.0- .XXX = ±.00- .XXXX = ±.000- SURFACE FINISH ✓		NAME	DATE	TITLE NB-CTSSPB Left Ceiling Tile Support	
DO NOT SCALE DRAWING	DRAWN	Bryan Dierking	05/23/2021		
BREAK ALL SHARP EDGES AND REMOVE BURRS	CHECKED	Hannah Brent			
THIRD ANGLE PROJECTION	APPROVED	Nigel Brent		SIZE A	REV.
	MATERIAL	FINISH		SCALE 1:5 & 1:3	WEIGHT
				SHEET	1 of 1

2

1