

TECHNICAL BULLETIN #3 MOUNTING A PENDANT TYPE CAMERA IN DIFFICULT INSTALLATIONS

WHERE VIBRATION OR SEISMIC ACTIVITY IS PRESENT

There are SIX different ways to mount these cameras
Each provides Anti-Vibration Capabilities when combined
with the NB-SA Seismic Adaptor



NB-SA Anti-Vibration Seismic Adaptor



ANY Pendant type Camera



I Beam/Girder Bracket



1 1/2" dia. Pole Mounting



Unistrut®



3 Camera Corner Wall Bracket

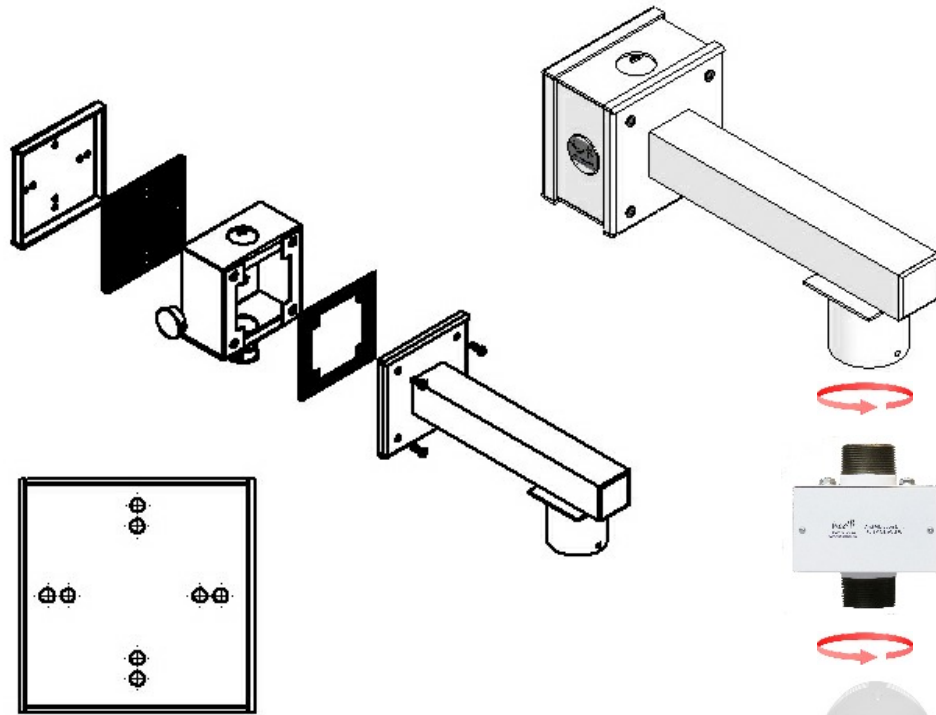


4 Camera Telspar® Bracket



Camera Arm Mounted to a Flat Surface

- Mount any Camera to any Flat Surface
- Mount any Camera to a 1 1/2" Pole
- Mount any (3) Cameras to our Corner Wall Bracket
- Mount any (4) Cameras To our Multi-Position Unistrut
- Mount any Camera to our Beam/Girder Bracket
- Choice of both Vertical and Horizontal Mounting Methods



Rear View of Back Plate showing the different Mounting holes depending on the bracket being used. (For more information refer to Catalog #3 page 1)



Nigel B Design is an authorized AXIS Partner



Designed and Manufactured in the USA -TAA Compliant under the Buy America Act

NIGEL B DESIGN, INC, STUDIO CITY CA, USA

E-MAIL:sales@nigelbdesign.com