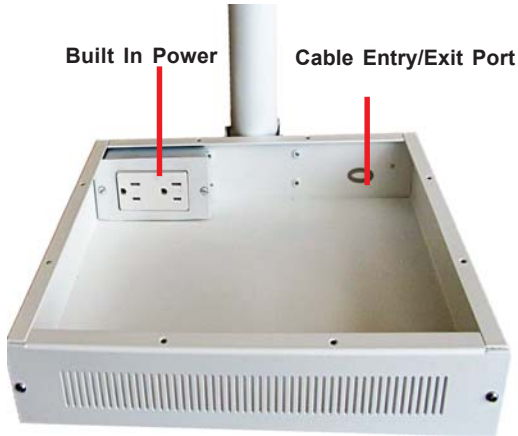


POLE MOUNTING PLATFORM ENCLOSURE

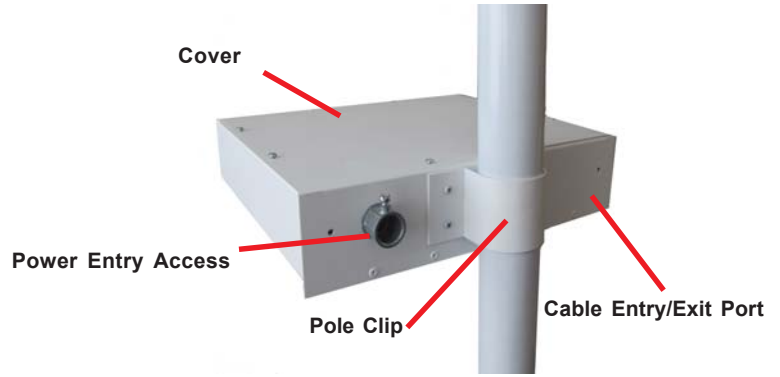


Beautifully finished in durable White Enamel, this easy to Install 12" x 10" x 2" Platform Enclosure simply clips on to any 1 1/2" Projector Pole in seconds

No Modification to the Exterior or Interior required



Pole Mounting Platform Enclosure showing the large 12" x 10" x 2" High Interior Space



Rear View showing "Easy Fit" Pole Clip

WE ASKED INSTALLERS WHAT THEY WOULD LIKE TO SEE IN A POLE MOUNTED PLATFORM COMPARED TO THE EXTRON® POLE VAULT

These are the features they asked for:

- Simpler, faster installation
- Generous Size
- More usable Interior Space
- Flexible configurations
- Security of Contents against theft*
- All Wiring can be hidden
- No more Cables running up & down the Pole
- Eliminate using Cable Ties
- Built In Interior 2 Position AC Receptacle



CU of "Easy Fit" Pole Clip

* Optional Security Screw Package available at extra Cost

Installers also wanted a quicker way of mounting the Platform Shelf / Enclosure to the Pole. Our "Easy Fit" Pole Clip attaches to the Pole in seconds without reducing the interior space.

As you look at the various pictures displayed in this leaflet it will be very apparent that we have met all the Installer's wishes and then some, in a Product beautifully finished in White Durable Baked Enamel

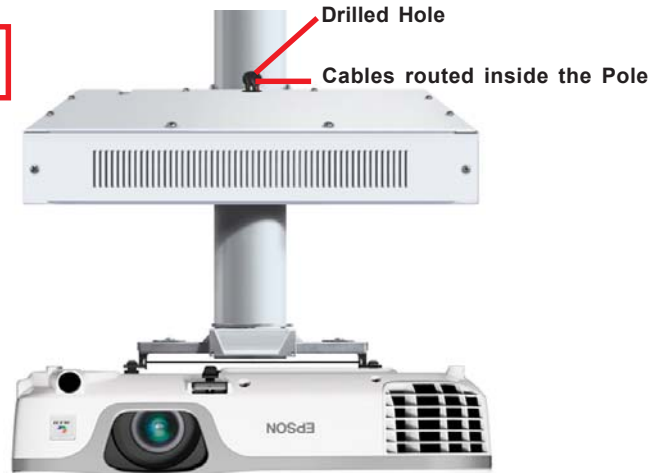
When Security is a concern, an Optional Extra Cost Security Package is available on request

* ROUTE ALL YOUR CABLES AND WIRING INSIDE THE POLE

Eliminate cable ties and the need for wiring to run up and down the outside of the Projector Pole. Instead drill a small hole in the Projector's Pole just above the Platform Shelf / Enclosure itself, all wiring can then be routed through the inside of the Pole.



The Pole Mount Platform Enclosure has Cable Access "knock Outs", at the rear of the Unit and by drilling a small Hole in the Projector's Pole just above the Platform Shelf / Enclosure itself, all wiring can then be routed through the inside of the Pole.

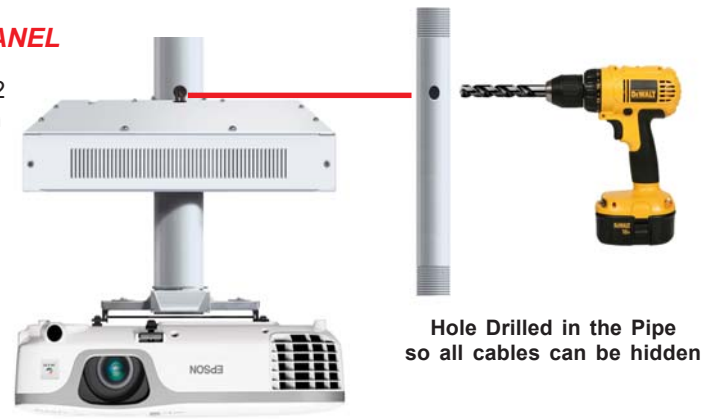


Pole Mounting Platform Enclosure with Cover and Epson Projector

overleaf we show you additional options

ALL UNITS ARE SUPPLIED WITH A REMOVABLE FRONT PANEL

Every unit comes with a Front Panel which is held in place by (2) 6.32 Pan Head Screws. By removing these Screws the Platform /Shelf can be used fully open.



Pole Mount Platform Enclosure with Cover fitted



Shown with easily removed Front Panel

- PARTS LIST**
PART # NB-PE
POLE MOUNTED PLATFORM ENCLOSURE
- (1) Pole Clip
 - (4) 6.32 x 1/4" for Pole Clip
 - (1) Power Unit AC Receptacle
 - (4) 6.32 x 1/4" for Power Unit
 - (1) 6.32 x 1/4" to attach the Power Unit to the Enclosure
 - (1) Front Plate (fitted)
 - (1) Cover
 - (8) 6.32 x 1/4 " Screws for Cover

Dimensions: 12" Wide 10" Deep 2" High.
Shipping Weights: Unit with Cover 5 lbs.
Weight Capacity: 50 lbs.

Good Design should never be limited by a lack of Innovative thinking. That's why our Products look good and work better

PART#	DESCRIPTION	PRICE
NB-PE	Pole Mount Platform Enclosure with Cover & Duplex AC Receptacle	\$ 199.95

We therefore reserve the right to make Specification Changes and Improvements without notice

Designed by 



Manufactured by

Nigel B Design, Inc. 4163 St Clair Ave, Studio City, CA 91604
e-mail: sales@nigelbdesign.com or Tel: (818) 487-9323