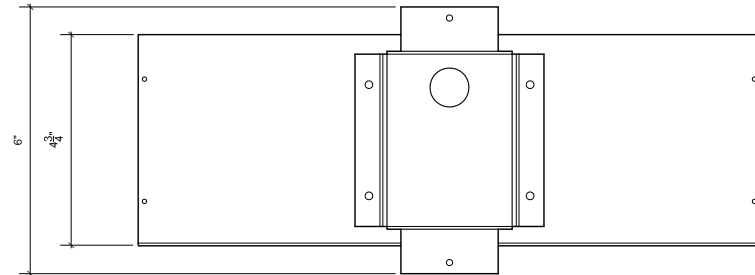
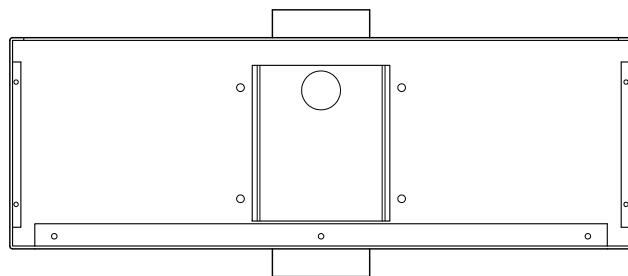


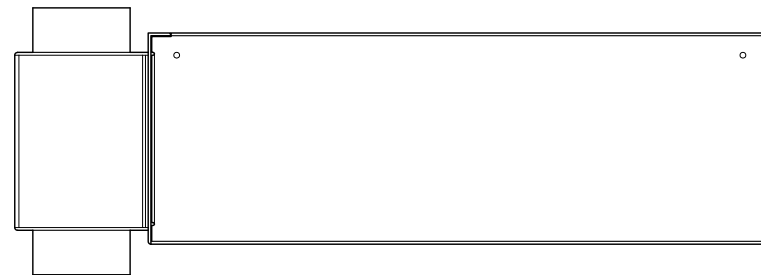
TOP VIEW



BACK VIEW

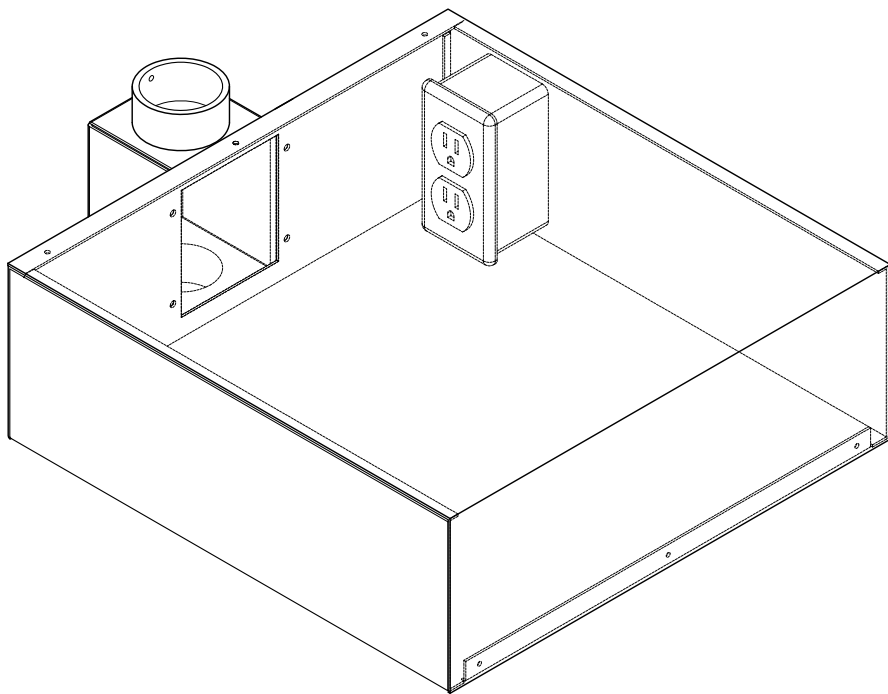


FRONT VIEW

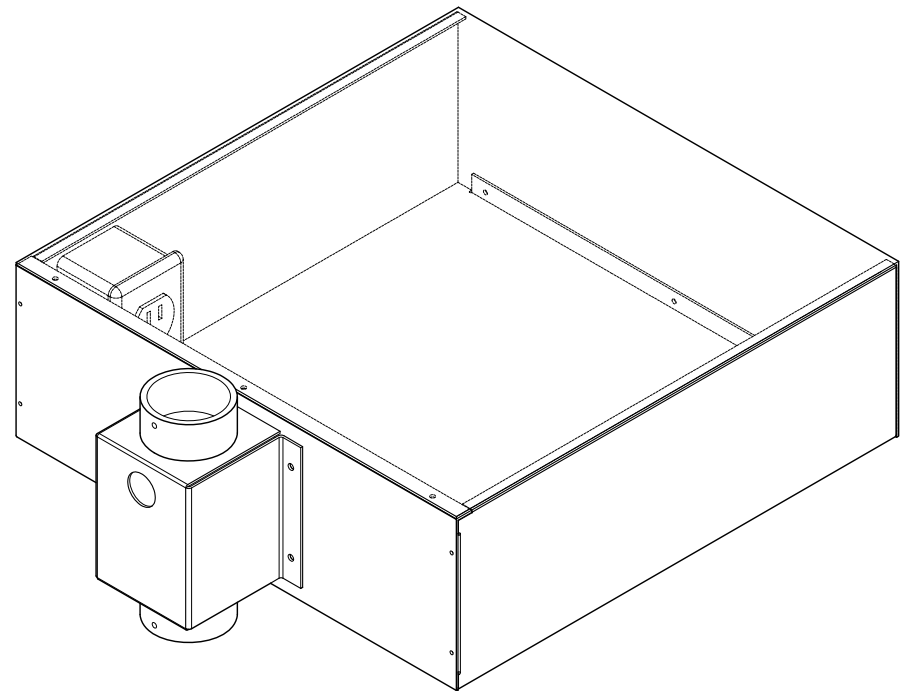


SIDE VIEW

DATE	BY	CHKD	APP'D	SCALE
NB-PEBPM Plenum Equipment Box Pole Mount Version Nigel B Design Inc.				AD
<small> MULTI-SHEET DRAWING: PART NO. _____ DATE: _____ SHEET NO. _____ OF _____ TITLE: _____ PROJECT: _____ CLIENT: _____ DRAWN BY: _____ CHECKED BY: _____ DATE: _____ </small>				<small> SHEET NO. _____ OF _____ DATE: _____ </small>



ISOMETRIC VIEW



ISOMETRIC VIEW

DATE	BY	CHKD	APP'D	SCALE
NB-PEBPM Plenum Equipment Box Pole Mount Version Nigel B Design Inc.				AD
<small> TITLE BLOCK PROJECT NO. DRAWING NO. SHEET NO. OF TOTAL SHEETS DATE SCALE DRAWN BY CHECKED BY APPROVED BY DATE </small>				