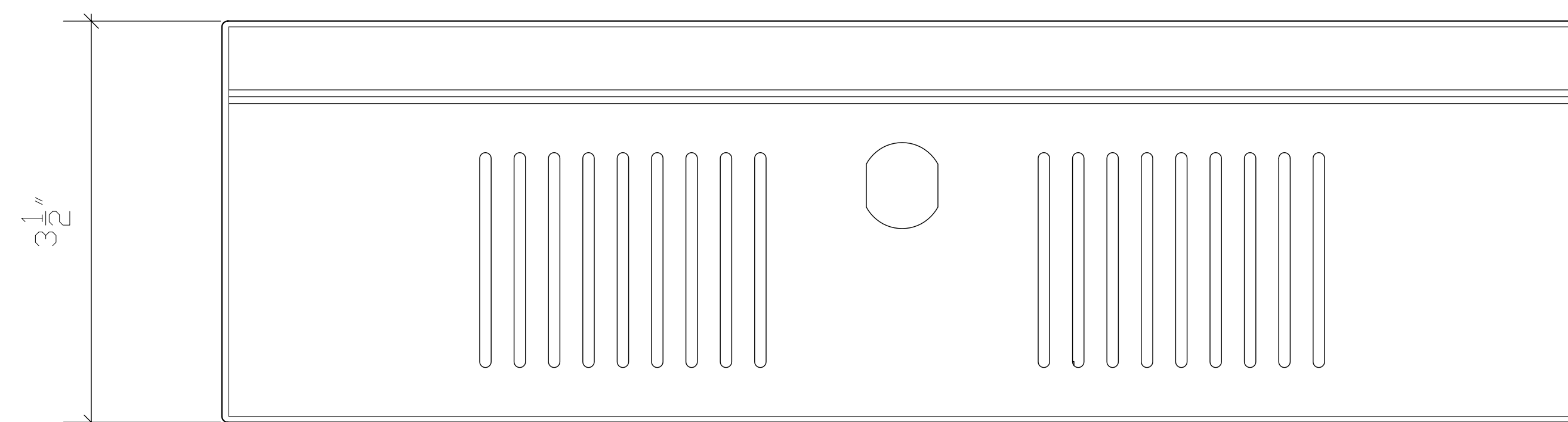
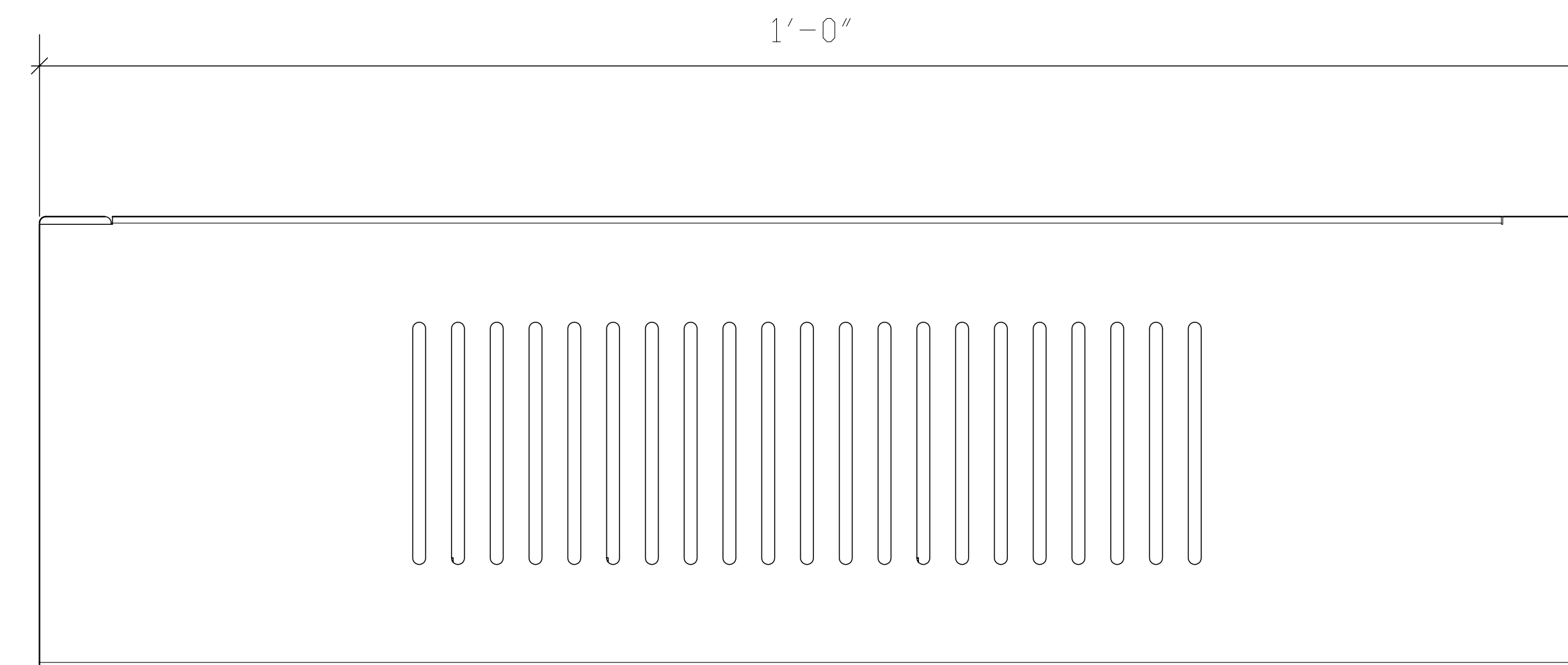


TOP VIEW



FRONT VIEW

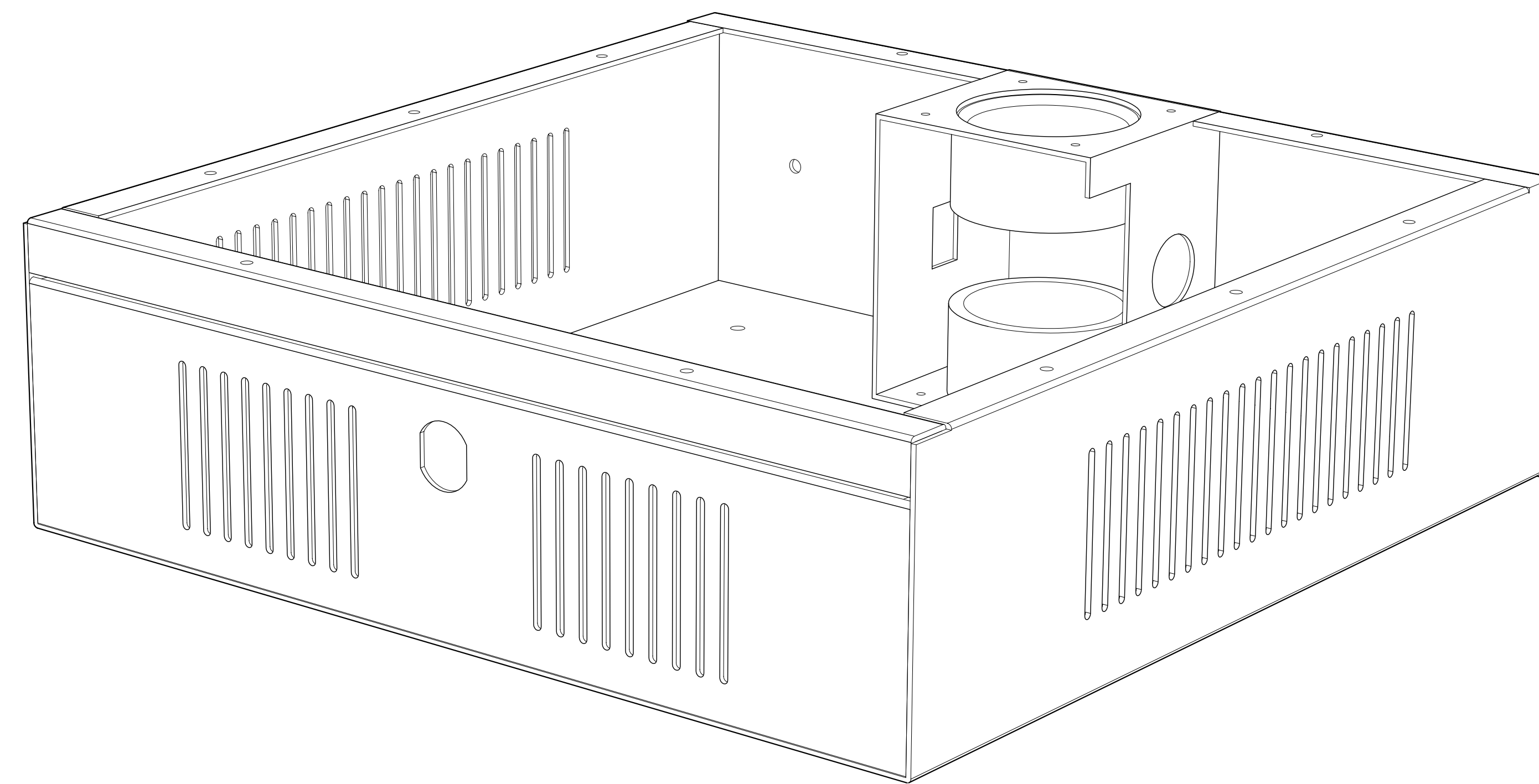


SIDE VIEW

PROPRIETARY AND CONFIDENTIAL  
 THE INFORMATION CONTAINED IN THIS  
 DRAWING IS THE SOLE PROPERTY OF  
 UNICERT COMPANY NAME HERE. ANY  
 REPRODUCTION IN PART OR AS A WHOLE  
 WITHOUT THE WRITTEN PERMISSION OF  
 UNICERT COMPANY NAME HERE IS  
 PROHIBITED.

UNLESS OTHERWISE SPECIFIED		NAME	DATE
DIMENSIONS ARE IN INCHES	DRAWN		
TOLERANCES:	CHECKED		
FRACTIONAL: ±	ENG. APPR.		
ANGULAR: MACH ± 1 BEND ±	MFG. APPR.		
TWO PLACE DECIMAL: ±			
THREE PLACE DECIMAL: ±	DA:		
INTERPRET GEOMETRIC TOLERANCING PER:	COMMENTS		
MATERIAL:			
FINISH:			
APPLICATION:			

<b>Nigel B Design Inc.</b>		
TITLE: NB-SBX The Strongbox		
SIZE: D	DWG. NO:	REV:
SCALE: 1:1	WEIGHT:	SHEET 1 OF 1



ISOMETRIC VIEW

PROPRIETARY AND CONFIDENTIAL  
 THE INFORMATION CONTAINED IN THIS  
 DRAWING IS THE SOLE PROPERTY OF  
 UNISERT COMPANY NAME HERE. ANY  
 REPRODUCTION IN PART OR AS A WHOLE  
 WITHOUT THE WRITTEN PERMISSION OF  
 UNISERT COMPANY NAME HERE IS  
 PROHIBITED.

UNLESS OTHERWISE SPECIFIED:		NAME	DATE
DIMENSIONS ARE IN INCHES	DRAWN		
TOLERANCES:	CHECKED		
FRACTIONAL: ±	ENG. APPR.		
ANGULAR: MACH ± 1 BEND ±	MFG. APPR.		
TWO PLACE DECIMAL: ±	QA		
THREE PLACE DECIMAL: ±	COMMENTS		
INTERPRET GEOMETRIC TOLERANCING PER MATERIAL			
NEXT ASSY	USED ON	FINISH	
APPLICATION			

<b>Nigel B Design Inc.</b>			
TITLE: NB-SBX The Strongbox			
SIZE: D	DWG. NO:	REV	
SCALE: 1:1	WEIGHT:	SHEET 1 OF 1	